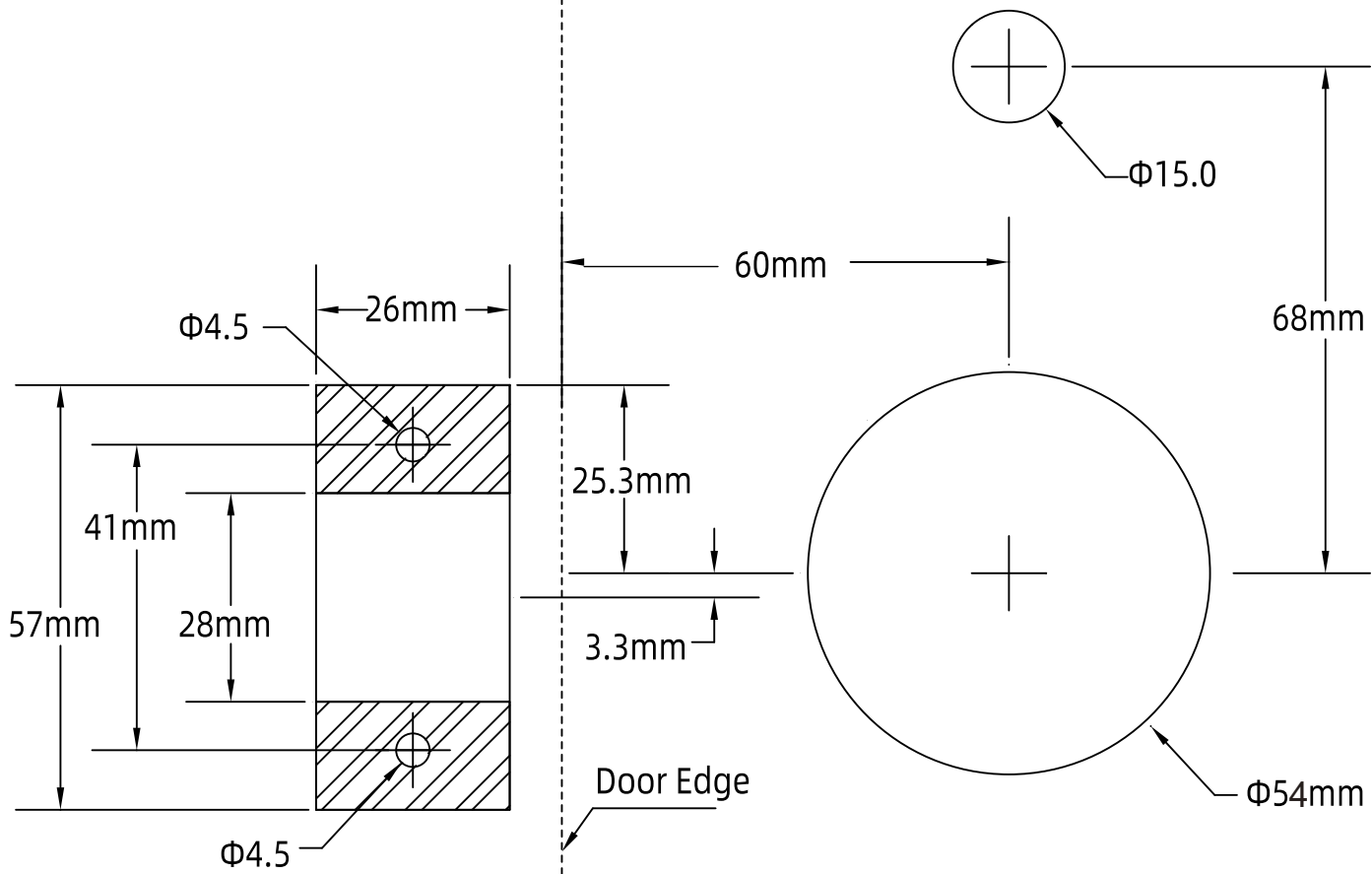


Hole-drilling Drawing

Ratio 1:1

Drill holes as to this drawing

WL90BT



Hole-drilling Drawing

Ratio 1:1

Drill holes as to this drawing

WL90BT

