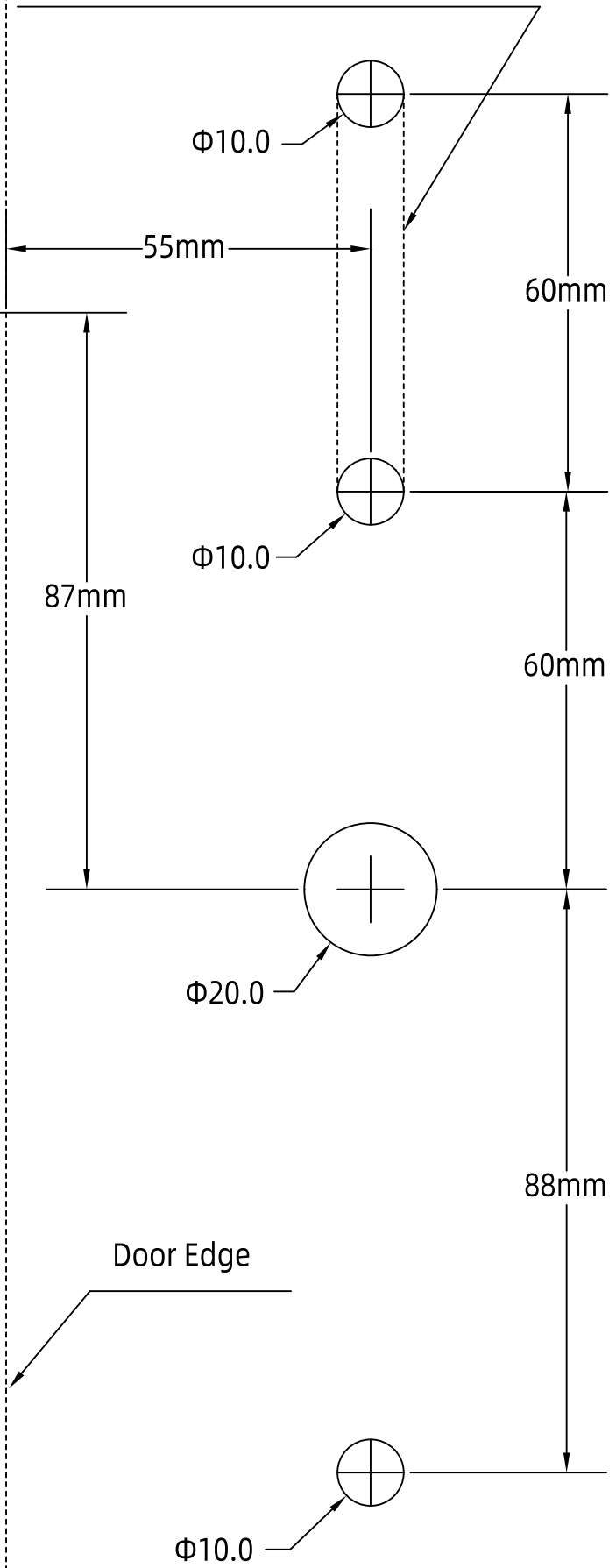
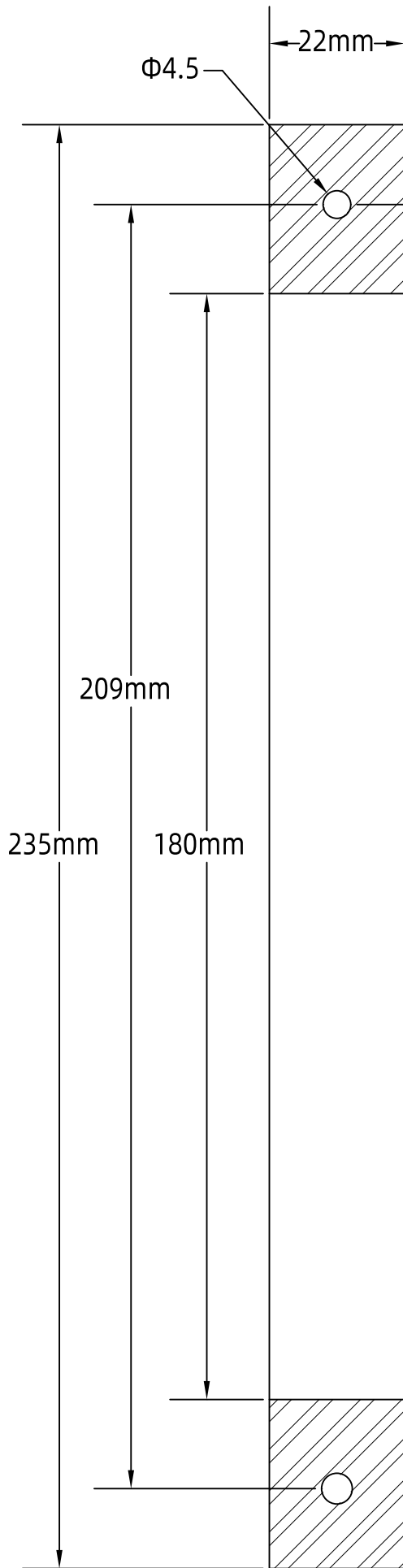


WL41BTB / WL41BTS  
(5572)

Screw-sliding design,  
Pls drill hole as to real position



Hole-drilling Drawing

Ratio 1:1

Drill holes as to this drawing